

Technical data sheet



Product features

Boiling kettle electric indirect 150 l

Model	SAP Code	00011718
--------------	-----------------	----------



- Device type: Electric unit
- Device heating type: Indirect
- Steam pressure regulation: Mechanical - the valve releases steam at high pressure
- Filling: Mechanical cock
- Jacket filling: Semi-automatic
- Drain: Yes
- Drain valve diameter: 2"
- Basin volume [l]: 150
- Usable volume [l]: 134

SAP Code	00011718	Loading	400 V / 3N - 50 Hz
Net Width [mm]	800	Basin volume [l]	150
Net Depth [mm]	900	Usable volume [l]	134
Net Height [mm]	900	Device heating type	Indirect
Net Weight [kg]	150.00	Steam pressure regulation	Mechanical - the valve releases steam at high pressure
Power electric [kW]	21.000		

Technical data sheet



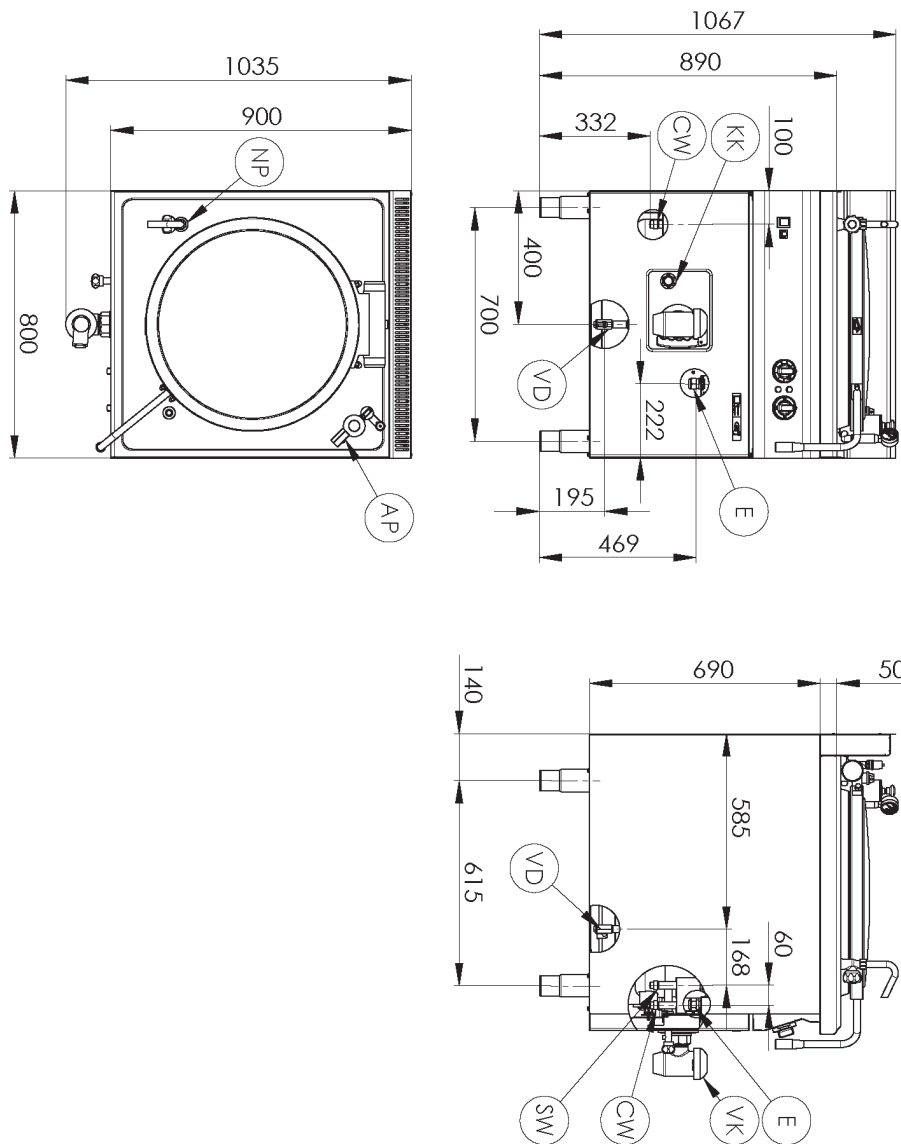
Technical drawing

Boiling kettle electric indirect 150 l

Model

SAP Code

00011718



Boiling kettle electric indirect 150 l

Model

SAP Code

00011718

1

Semi-automatic tolerance

maintenance-free system
the absence of a probe that can become calcified
long life

- savings on service interventions
- avoidance of losses due to interruption of plant operation

2

Degree of protection of the control elements IPX4

maintenance-free system
resistance to splash water
long life

- savings on service interventions
- easy cleaning and maintenance of equipment

3

Smart handle

protection against scalding when lifting the lid
easy handling to operate at any height

- high security
- fewer health problems caused by poor ergonomics

4

Duplicator bottom AISI 316

long service life even in an aggressive salty environment

- savings on service interventions
- avoidance of losses due to interruption of plant operation

5

All-stainless design including bottom

long service life even in an aggressive salty environment

- savings on service interventions
- easy cleaning and maintenance of equipment

6

Top pressed plate

it prevents overflowing liquid from running into the controls or onto the operator's feet

- eliminates problems with possible malfunctions
- increases user comfort

Technical data sheet



Technical parameters

Boiling kettle electric indirect 150 l

Model	SAP Code	00011718
--------------	-----------------	----------

1. SAP Code:

00011718

2. Net Width [mm]:

800

3. Net Depth [mm]:

900

4. Net Height [mm]:

900

5. Net Weight [kg]:

150.00

6. Gross Width [mm]:

970

7. Gross depth [mm]:

840

8. Gross Height [mm]:

1160

9. Gross Weight [kg]:

173.00

10. Device type:

Electric unit

11. Construction type of device:

With substructure

12. Power electric [kW]:

21.000

13. Loading:

400 V / 3N - 50 Hz

14. Protection of controls:

IPX4

15. Material:

AISI 304 top plate, AISI 430 cladding

16. Indicators:

operation and warm-up

17. Drain valve diameter:

2"

18. Worktop type:

Molded - comfortable cleaning maintenance

19. Worktop Thickness [mm]:

1.50

20. Device heating type:

Indirect

21. Basin volume [l]:

150

22. Service accessibility:

Trough the frontal panel

23. Safety thermostat:

Yes

24. Adjustable feet:

Yes

25. Bottom material:

AISI 316

26. Usable volume [l]:

134

27. Filling:

Mechanical cock

28. Jacket filling:

Semi-automatic

Technical data sheet



Technical parameters

Boiling kettle electric indirect 150 l

Model

SAP Code

00011718

29. Steam pressure regulation:

Mechanical - the valve releases steam at high pressure

30. Type of drain valve:

conical

31. Overflow:

Yes

32. Manometer:

Yes

33. Water filling type:

Cold

34. Drain:

Yes

35. Cross-section of conductors CU [mm²]:

10

- Výkon (kW): 5,7-6,6 (230 V); 9,8-11 (400 V)

36. Water supply connection:

1/2"